

For reference only. See data sheet for the detailed specifications.

Technical Specification

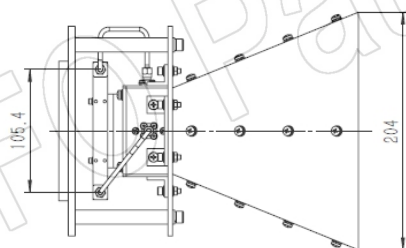
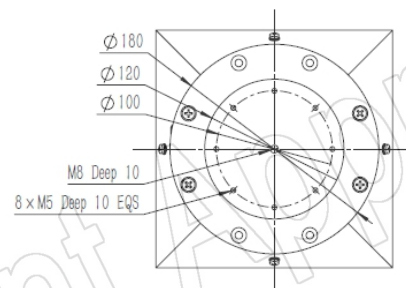
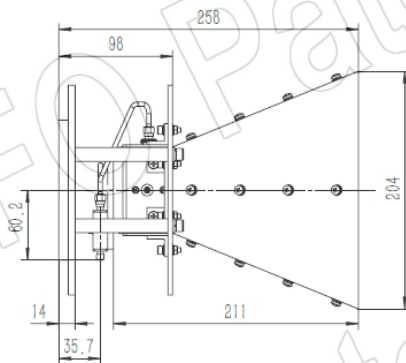


Frequency Range(GHz)	1.0 – 10.0
Gain(dBic)	11 Typ.
Polarization	Dual Circular
Axial Ratio(dB)	2.0 Typ.
	3.0 Max.
3dB Beamwidth(deg)	E Plane: 82 - 21
	H Plane: 78 - 20
Port to Port Isolation(dB)	15 Typ.
VSWR	1.5:1 Typ.
Connector	SMA-Female
Power Handling(W CW)	20 Max.
Material	Al
Finish	Chemical Conversion Coating, Gray Paint, Black Paint
Size(mm)	204 x 204 x 258
Net Weight(Kg)	2.88 Around

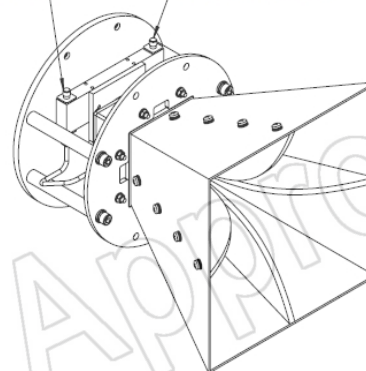
PATENT ID (US)
US 11139578
PATENT ID (China)
ZL201822143668.8, ZL201630458465.1

Outline Drawing (Size: mm)

SMA-Female Output (P/N: LB-SJ-10100-P03)



LHCP Connector, SMA Female RHCP Connector, SMA Female


AINFO Inc.

China(Beijing):
China(Chengdu):
USA :

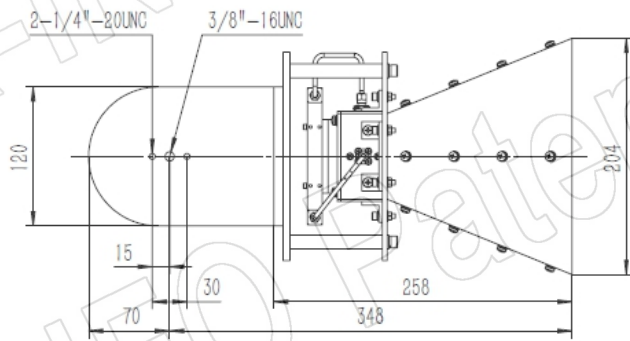
Tel: (+86) 10-6266-7326,
Tel: (+86) 28-8519-2786,
Tel: (+1) 949-639-9688,

(+86) 10-6266-7327
(+86) 28-8519-3044
(+1) 949-639-9608

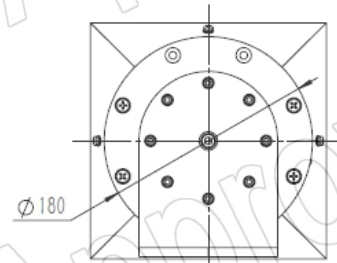
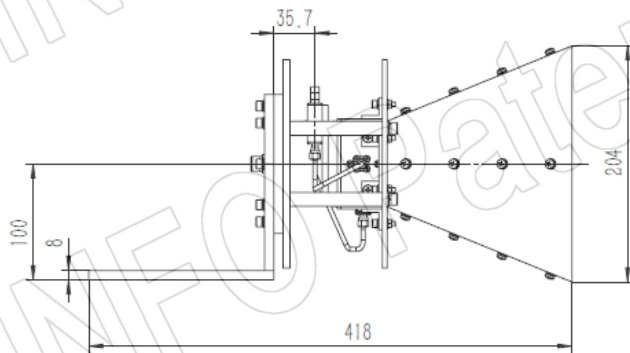
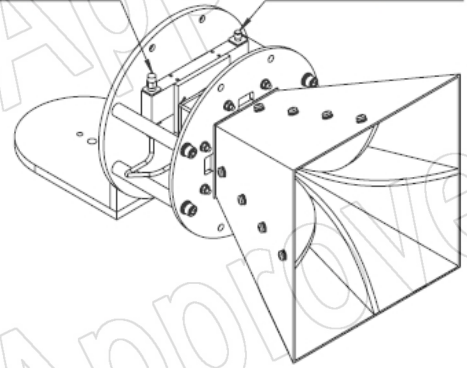
Fax: (+86) 10-6266-7379
Fax: (+86) 28-8519-3068
Fax: (+1) 949-639-9670

Website: www.ainfoinc.com
Email: sales@ainfoinc.com

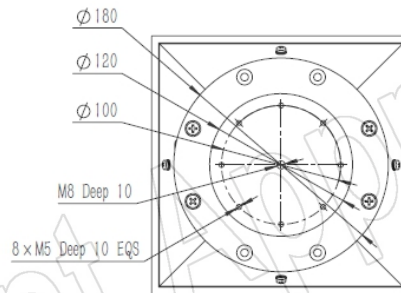
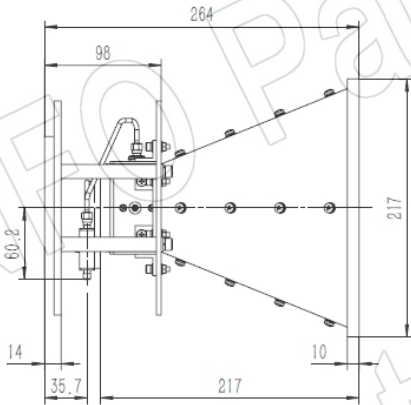
SMA-Female Output with L Type Mounting Bracket (Option, P/N: LB-159-10-C-L)



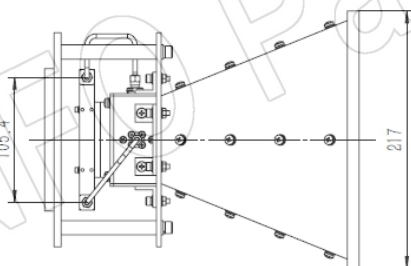
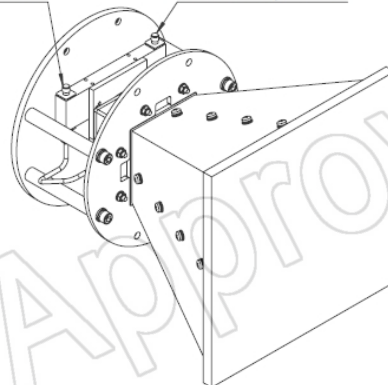
LHCP Connector, SMA Female RHCP Connector, SMA Female



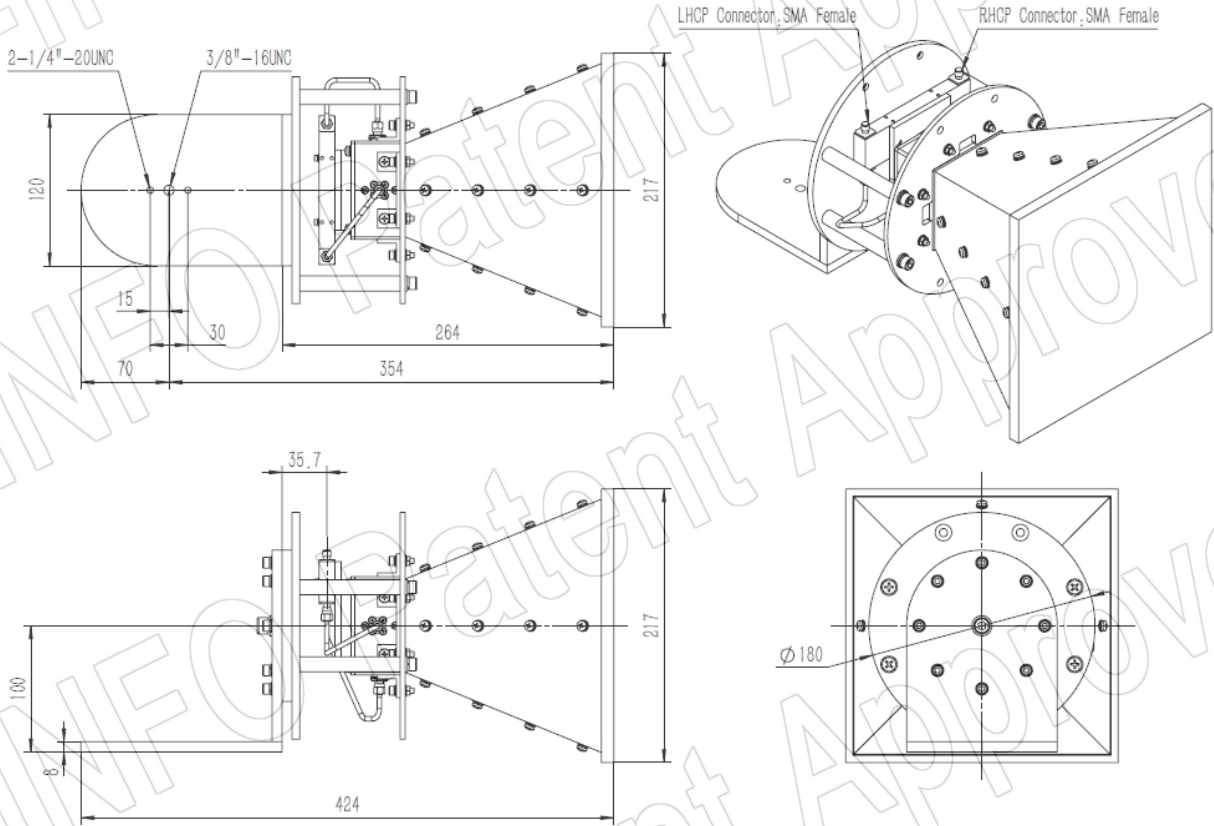
SMA-Female Output with Radome (Option, P/N: LB-SJ-10100-P03SPO, Outdoor Application)



LHCP Connector, SMA Female RHCP Connector, SMA Female

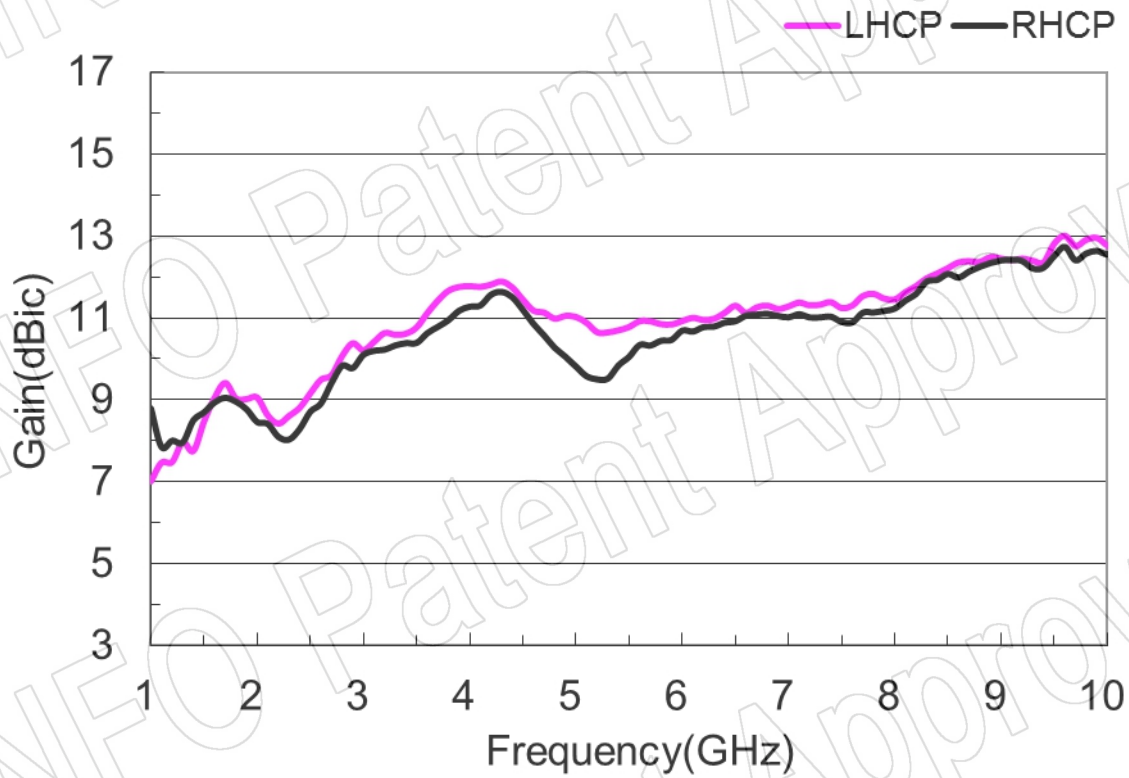


SMA-Female Output with L Type Mounting Bracket & Radome (Option, P/N: LB-159-10-C-L & LB-SJ-10100-P03SPO, Outdoor Application)

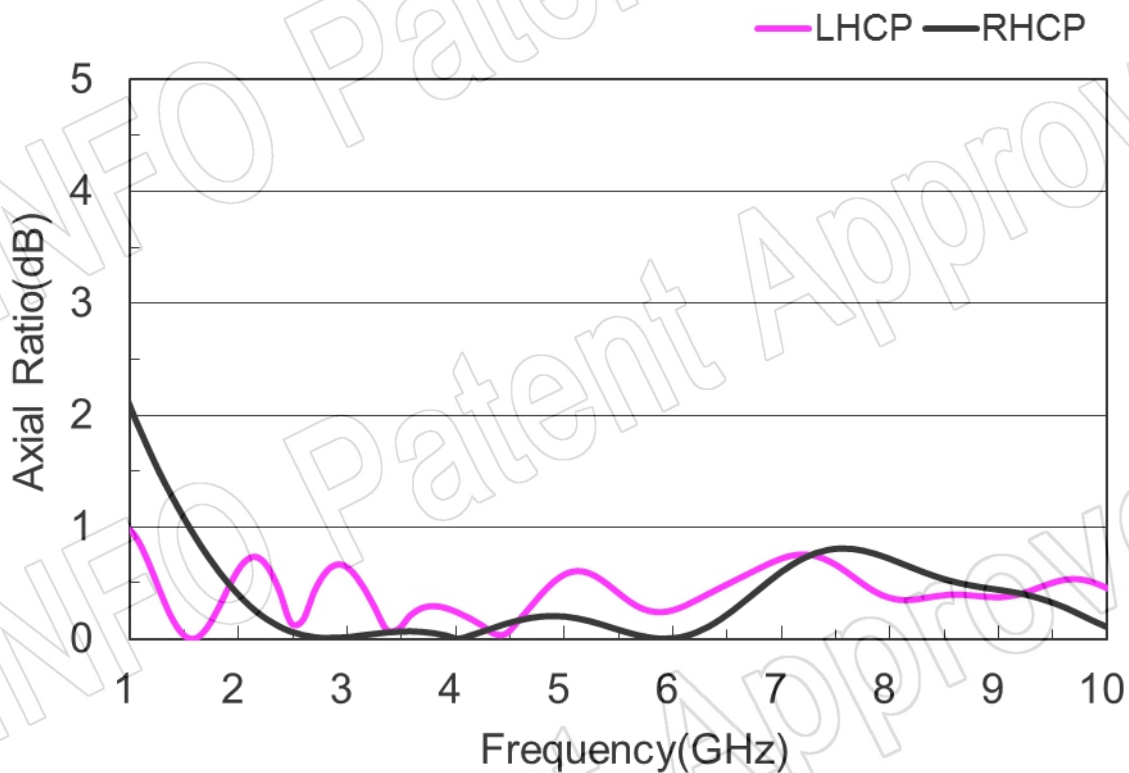


Test Results

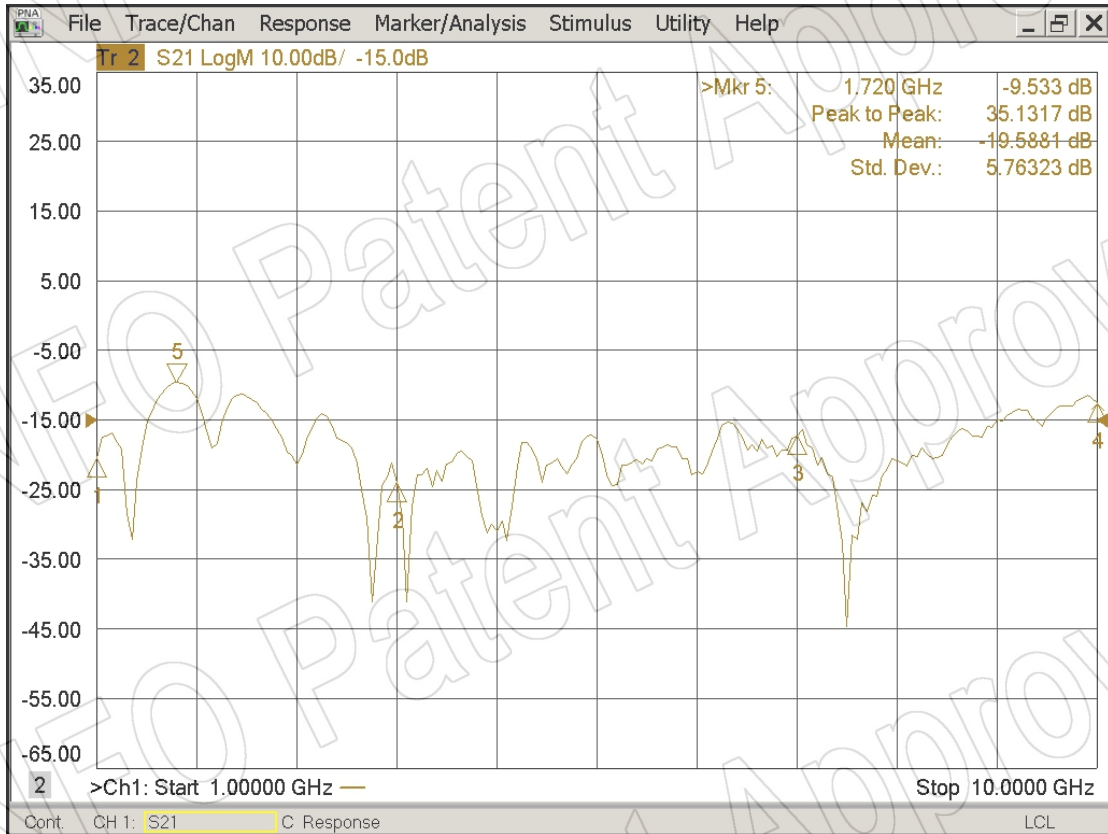
1. Gain



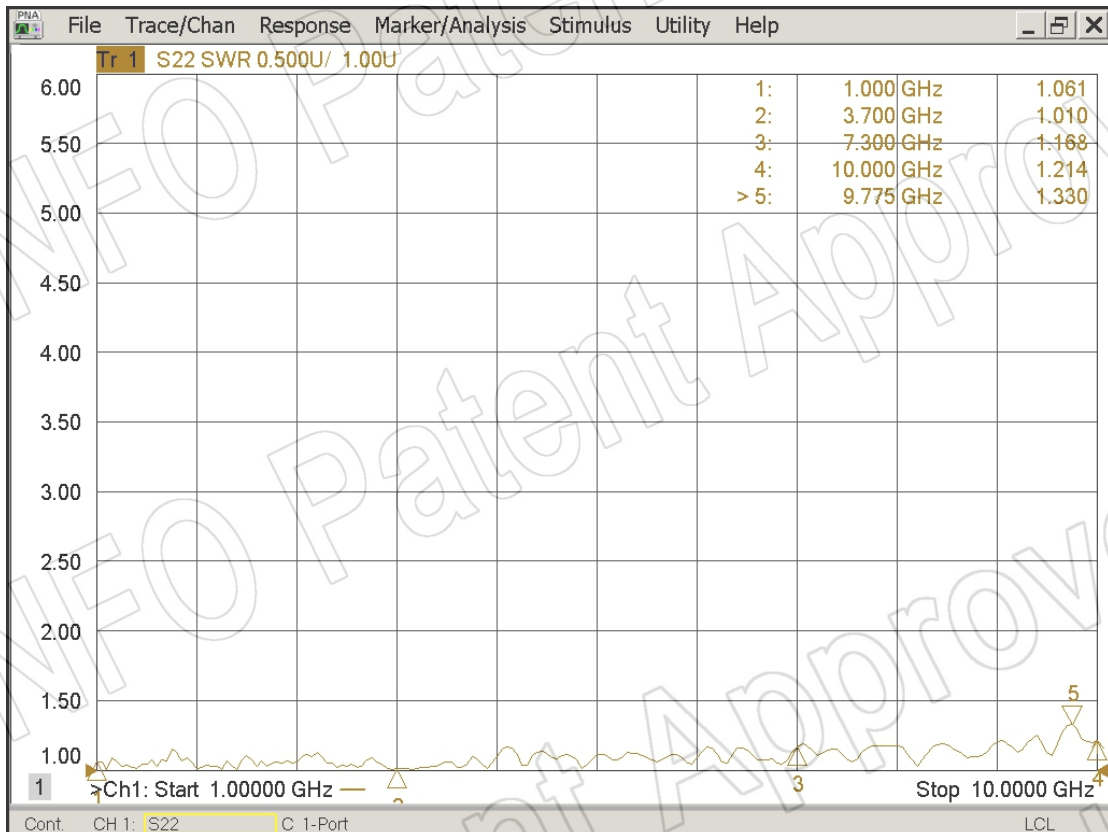
2. Axial Ratio



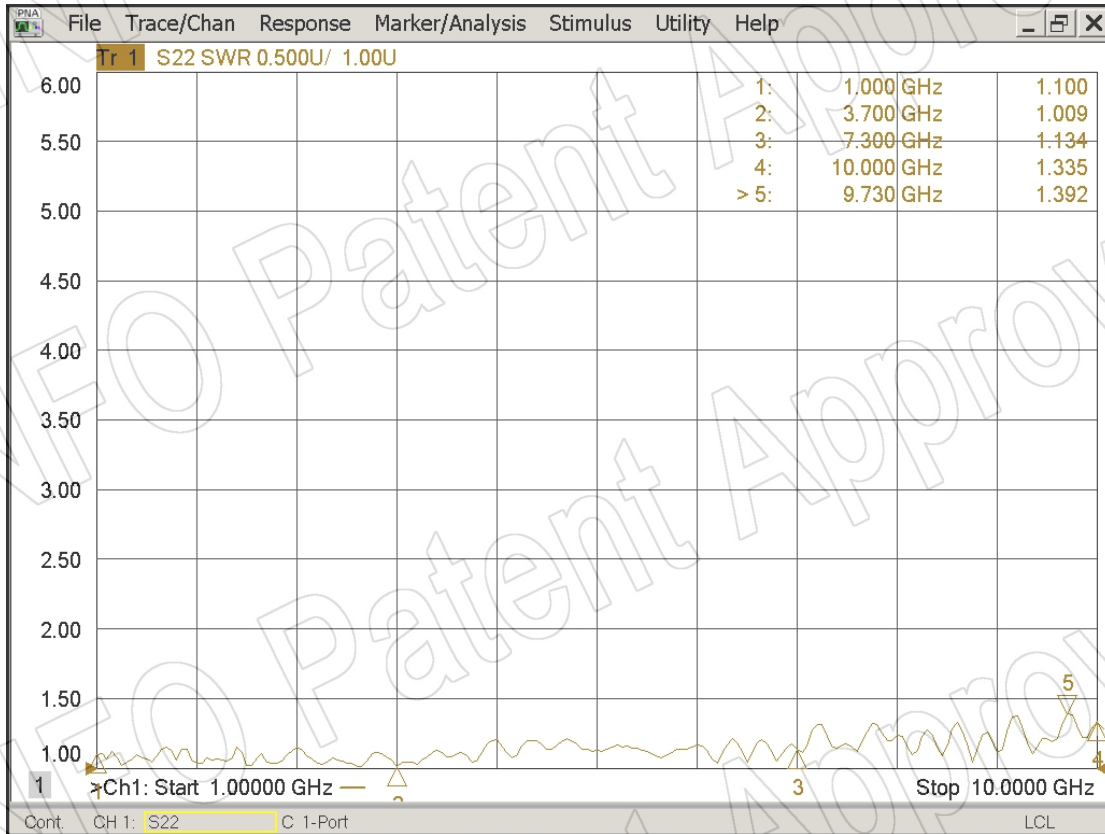
3. Port to Port Isolation



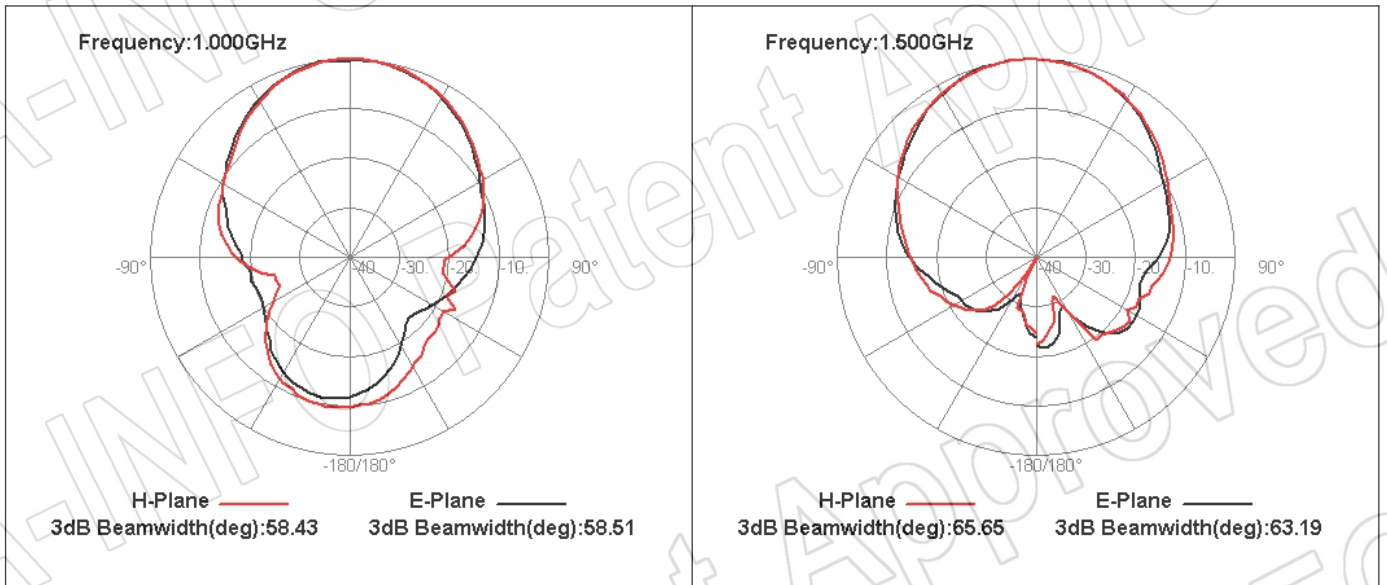
4. VSWR LHCP

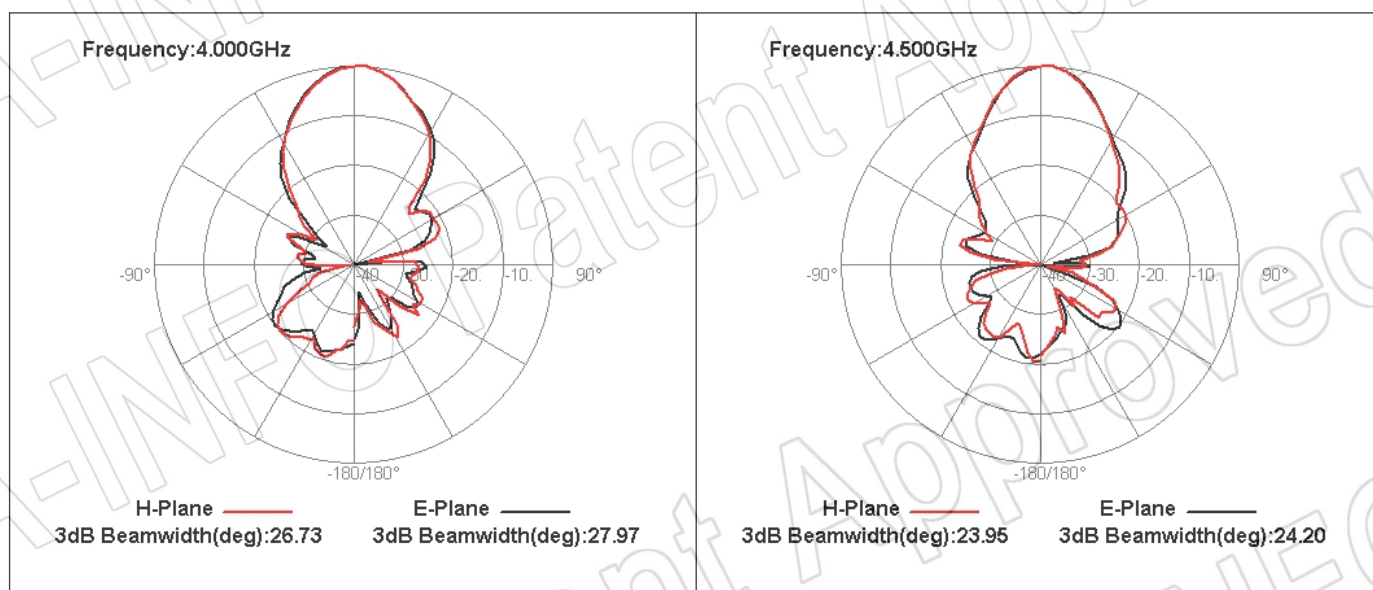
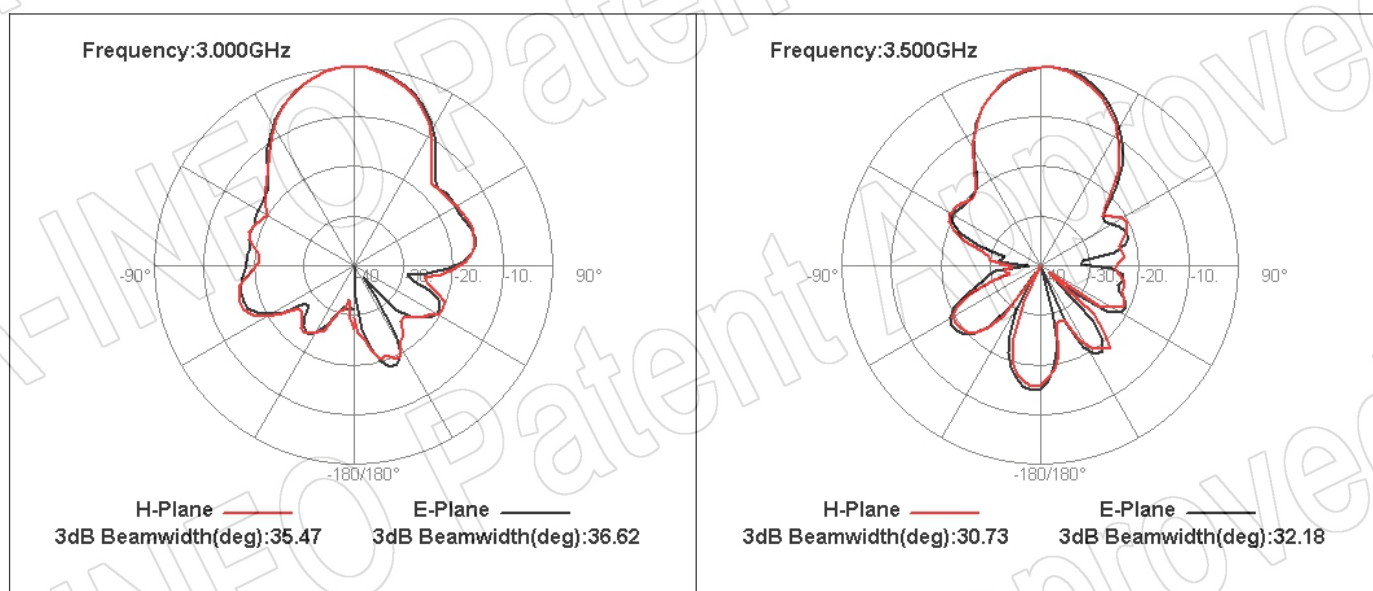
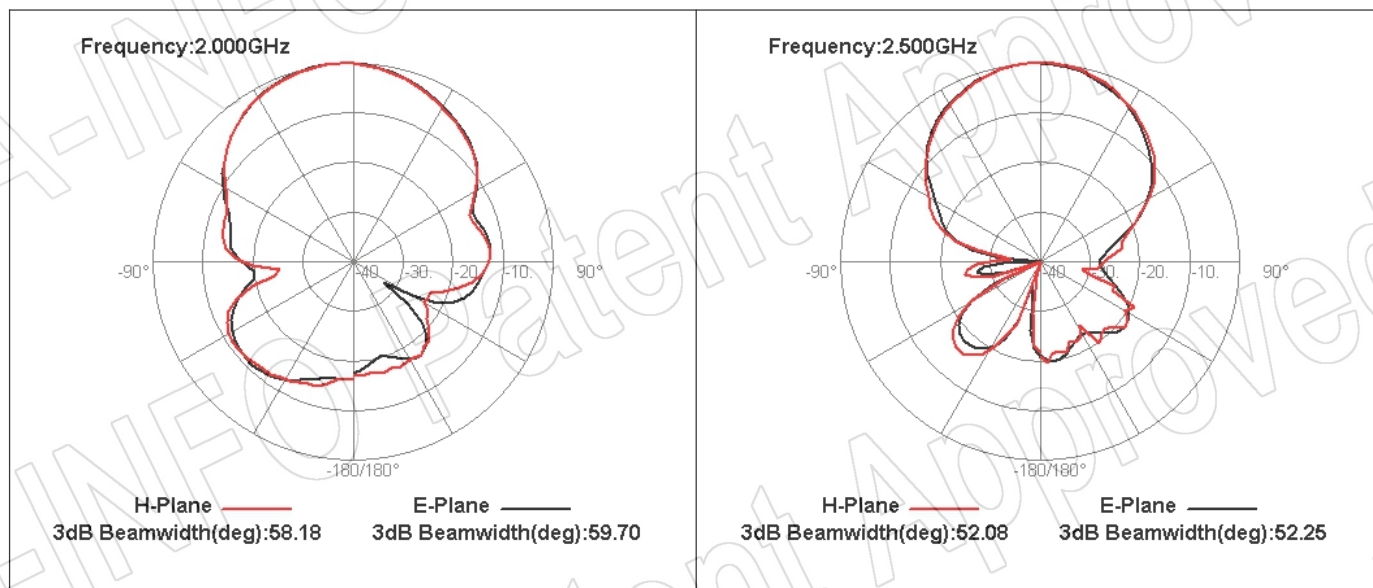


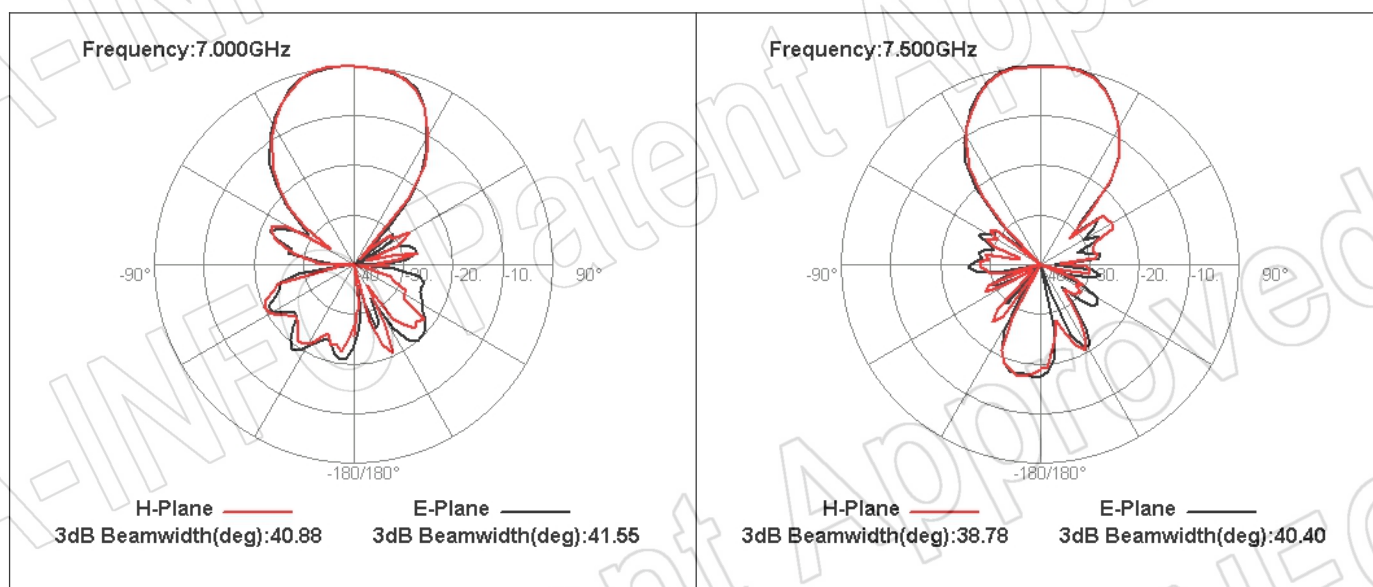
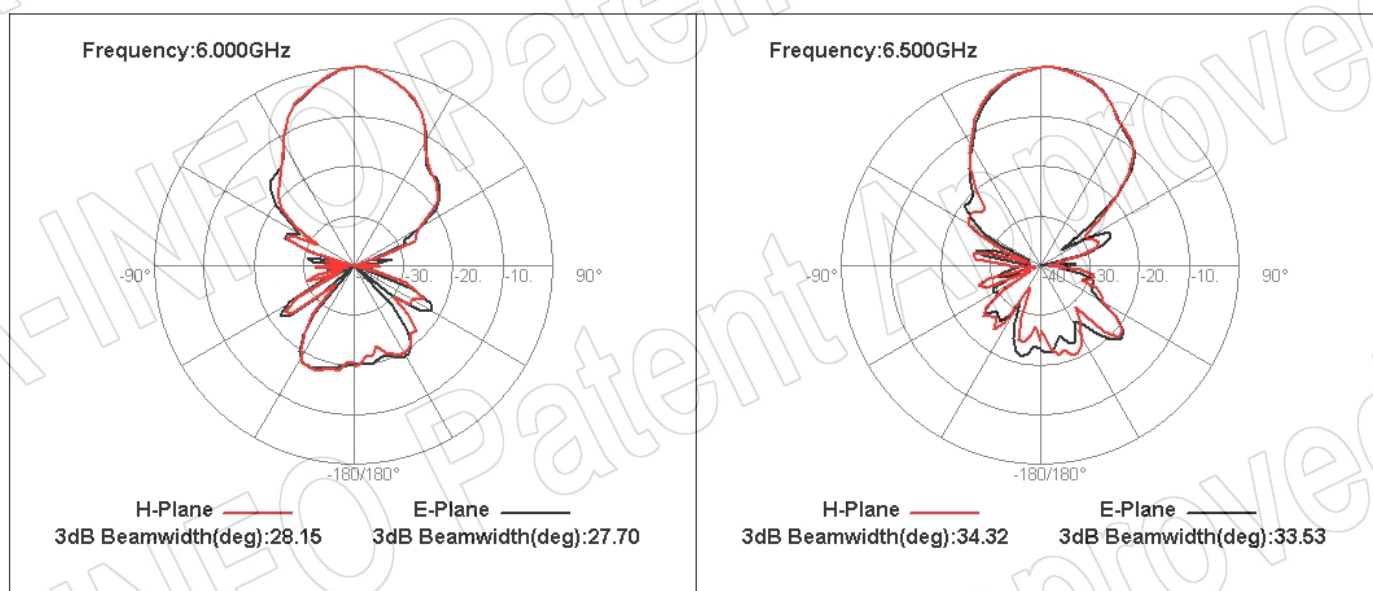
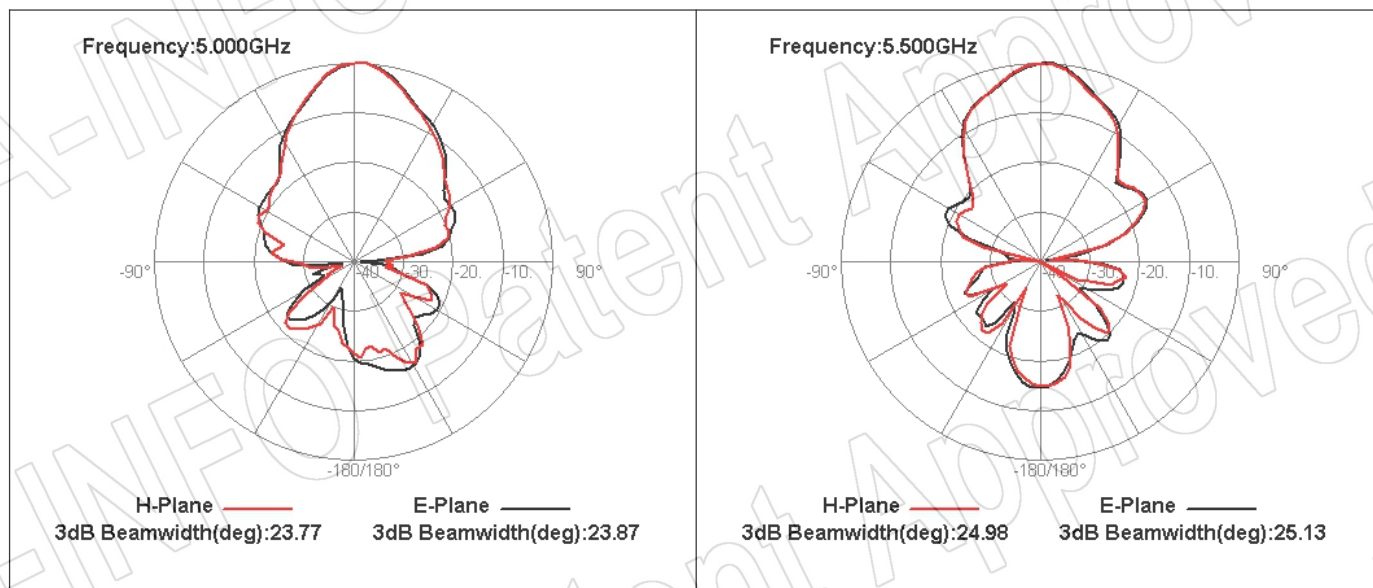
RHCP

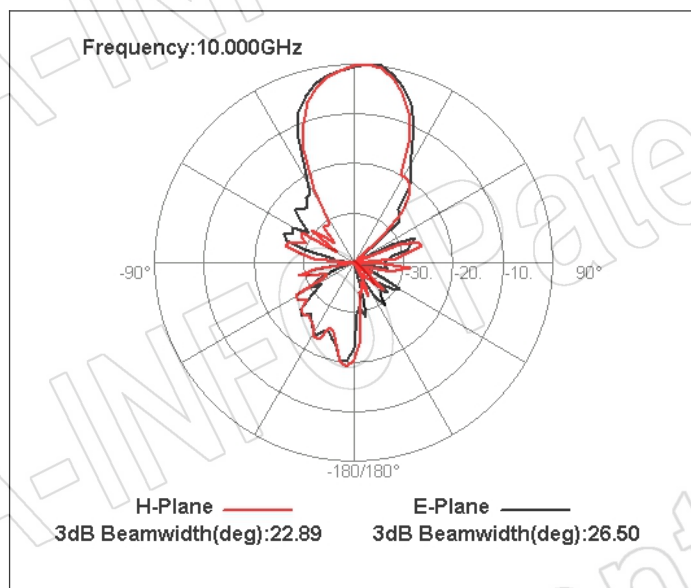
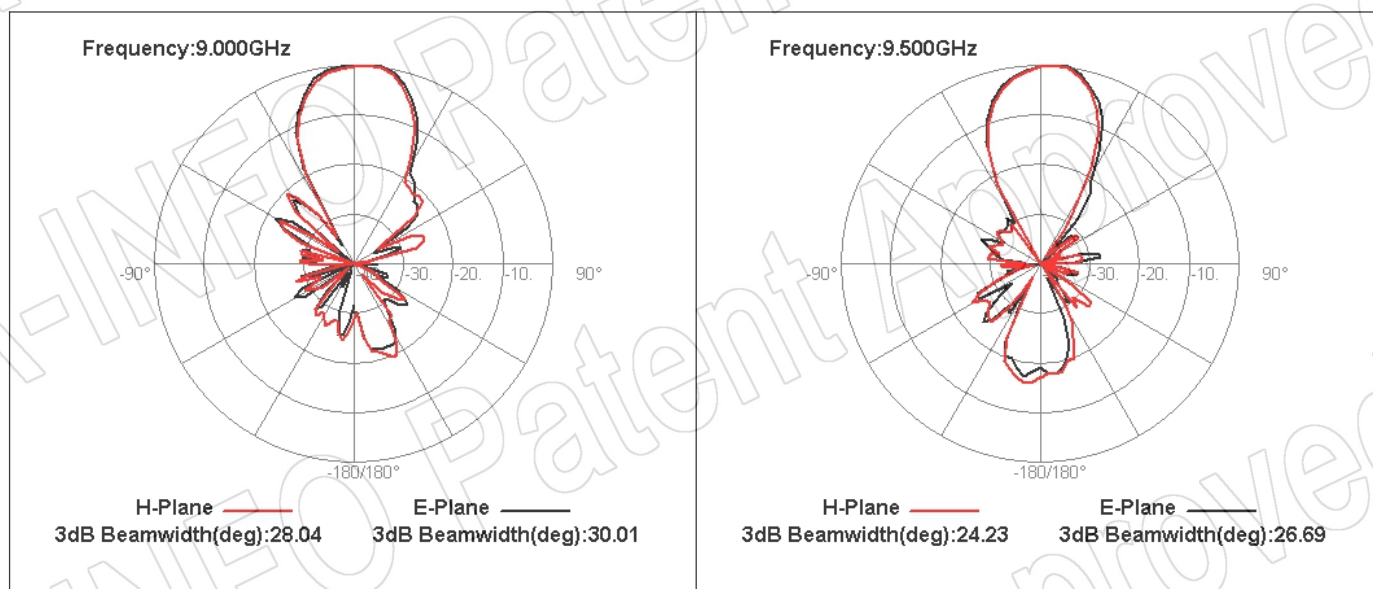
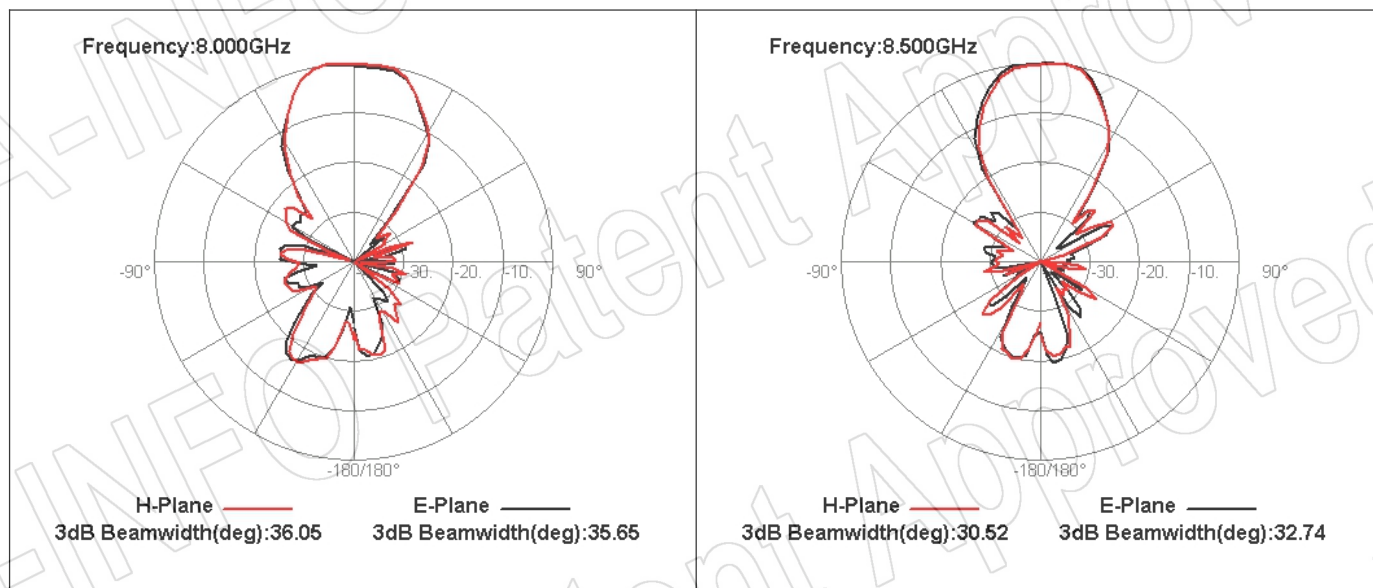


5. Pattern LHCP









RHCP

